



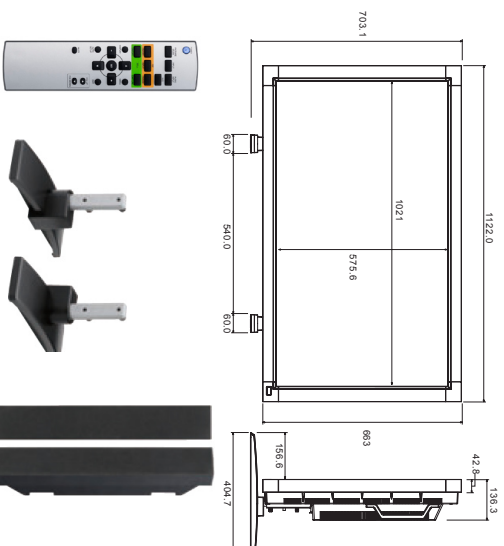
46" LCD MONITOR

LDT461V2

- ADVANCED HIGH-DEFINITION DIGITAL SIGNAGE DISPLAY
- FULL HD 1920 X 1080 NATIVE RESOLUTION
- HIGH QUALITY IMAGE FOR VIRTUALLY ANY APPLICATION
- MULTIPLE SCREEN SAVER FUNCTION
- PROGRAMMABLE SCHEDULING

LEADING THE EVOLUTION OF
HIGH-DEFINITION
DIGITAL SIGNAGE

46" LCD MONITOR LTD1461V2



Optional Stand:
ST-461V2

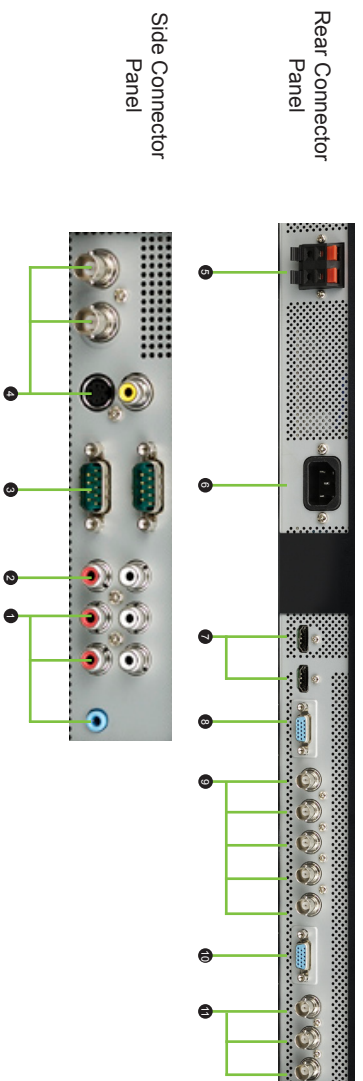


Optional Speakers:
SP-461V

MULTIPLE STANDARD INPUT AND OUTPUT CONNECTORS

- 1 AUDIO IN 1,2,3
- 2 AUDIO OUT
- 3 EXTERNAL CONTROL (mini D-Sub 9 pin)
- 4 VIDEO IN/OUT
- 5 EXTERNAL SPEAKER TERMINAL
- 6 AC IN CONNECTOR
- 7 RGB 1 in (HDMI)
- 8 RGB 2 IN (mini D-Sub 15 pin)

- 9 RGB 3 IN (R, G, B, H, V) (BNC)
- 10 RGB OUT (mini D-Sub 15 pin)
- 11 DVD/HD IN (Y, Pb/Cb, Pr/Cr) (BNC)



CLASS	46" (Diagonal) LCD Monitor
VIEWABLE IMAGE SIZE	40.1" x 22.5"
NATIVE RESOLUTION	1920 x 1080 (1080P)
ORIENTATION	Landscape / Portrait
BRIGHTNESS/LUMENS	450 cd/m ²
PIXEL PITCH	0.530 mm
CONTRAST RATIO	4000:1
DIMENSIONS (W x H x D in.)	44.17" x 26.10 x 5.37" (without stand)
WEIGHT (WITHOUT STAND AND SPEAKERS)	61.6 lbs. (Net)
BEZEL WIDTH	1.98"
RESPONSE TIME	8 ms (gray to gray)
VIEWING ANGLE	Horizontal and vertical: 178°
VIDEO/AUDIO INPUTS AND OUTPUTS	mini D-Sub 15 pin In/Out, HDMI, BNC (R, G, B, H, V), S-Video, Composite (RCA, BNC), Component (BNC), Audio LR (RCA), Audio Stereo mini Jack
SPEAKER OUTPUT	External Speaker Jack
CONTROL INPUT/OUTPUT	RS232C (mini D-Sub 9 In/Out)
POWER CONSUMPTION (WITHOUT SPEAKERS)	265 W (Max)
ESTIMATED BACKLIGHT LIFE	Up to 50,000 hours*
AUDIO SPEAKER	Optional: SP-461V
TABLE STAND	Optional: ST-461V2
WALL MOUNT COMPATIBILITY	Optional: CTM-VESA
WARRANTY	3-years parts and labor, Express Replacement Assistance, toll-free 24x7 technical support

*Results may vary depending on usage and operating environment



MITSUBISHI DIGITAL ELECTRONICS AMERICA, INC.
Presentation Products Division
Toll Free: 888.307.0249
Email: iprefinfo@mdea.com
www.mitsubishi-presentations.com
Canada
Mitsubishi Electric Sales Canada Inc.
Information Technologies Group
Phone: 905.475.7728
www.mitsubishielectc.ca