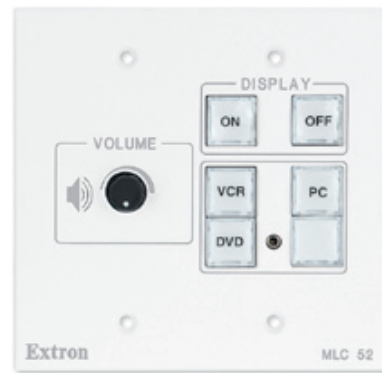


MLC 52 Series

Basic MediaLink™ Controllers



MLC 52 IR



MLC 52 RS VC

COMMON FEATURES

- **Universal display control** — The MLC 52 IR and MLC 52 RS have dedicated ports for communicating with virtually any projector or flat panel display via IR. The MLC 52 RS is also equipped with unidirectional RS-232 wired serial control capabilities. Display control drivers can be downloaded from the Extron Web site and used to configure the controller.
- **Meets or exceeds Section 508 accessibility standards**
- **Discrete ON and OFF display power controls** — Simplify system operations and eliminate the need for a handheld IR display remote.
- **Configurable buttons** — Can be set up to control display power, volume, input selection, or any other IR/RS-232 command supported by the display.
- **Macro and Toggle modes** — Each button can be set to send out multiple IR or serial commands. A button configured for Macro mode can send several commands in sequence. A button configured for Toggle mode will sequence between up to four different commands, sending out a different command each time the button is pressed.
- **Backlit buttons can be custom labeled for easy identification** — Buttons illuminate for ease of use in low-light environments.
- **Front panel configuration port** — Advanced configuration, driver downloads, and firmware updates can be performed via the front panel configuration port without removing the controller. The optional Extron CFG Cable, part # 70-335-01, connects the MLC 52 to the PC's RS-232 port.
- **Three easy ways to configure: IR learning, preconfigured display drivers, and IR beaming**
- **Inactivity timer for display shutoff** — Adjustable timer control provides automatic shutdown to preserve energy, prevent plasma burn-in, or extend projector lamp life.
- **Front panel security lockout** — If the MLC 52 IR or MLC 52 RS is installed in an unsecured environment where easy access is not desirable, a security lockout feature may be implemented to lock out all front panel controls.
- **Includes black and white high-impact plastic mounting faceplates** — Each MLC 52 model comes with two high-impact plastic mounting faceplates durable enough for demanding environments.
- **External universal power supply included**, part # 70-055-01 — Provides worldwide power compatibility.

DESCRIPTION

The Extron MLC 52 IR and MLC 52 RS Basic MediaLink Controllers are economical control panels for any classroom environment. Each model comes with a black and white faceplate and offers IR control, while the MLC 52 RS also includes unidirectional RS-232 control. By providing easy input selection, power, and volume control, these controllers make classroom A/V operations simple.

Simple, Consistent Control in Every Room

Each MLC 52 Series controller acts as an extended remote control panel, providing user-friendly control for a display's power, volume, and input selection. Because the MLC 52 IR and MLC 52 RS offer a central point of control for a display device's key functions, they eliminate the need for the display's IR remote control, making operations much more efficient. With the MLC 52 IR and MLC 52 RS, there are no misplaced remotes to search for, no confusing menus to navigate, and no dead batteries. No matter what brand of display is installed in each presentation venue, the MLC 52 IR and MLC 52 RS MediaLink Controllers always provide a consistent control method from room to room. Presenters with little or no training can walk into any MediaLink equipped classroom and operate the A/V system with minimal effort.

Configurable Buttons for Flexible Control Options

No programming knowledge is necessary to install MLC 52 MediaLink Controllers. The four lower buttons on the MLC 52 IR and MLC 52 RS default to Volume Up, Volume Down, Select PC Input, and Select Video Input. Using the intuitive setup software provided, these buttons can be configured to send out any IR or RS-232 command supported by the display, making it easy to customize the controller to meet the needs of most single-display A/V systems. For example, three of the four buttons could be configured for input selection, with the fourth button dedicated to video mute or auto image. Each button can store up to four separate commands, providing additional flexibility to meet the specific control requirements for most display devices. When a button is configured for Macro mode, all of the stored commands associated with that button are sent with a single button press. In Toggle mode, the button steps through a series of two, three, or four commands, issuing a single command with each press of the button.

Three Easy Ways to Configure

The MLC 52 IR and MLC 52 RS enable integrators to choose any of three methods when configuring the controllers. When used with the supplied Windows®-based configuration software, installation files can be saved and used to duplicate additional MLC 52 models. The files can also be archived for later use.

- IR learning - Allows the MLC 52 IR or MLC 52 RS to be set up directly from the IR remote without the need for software and a PC.
- IR beaming - Quickly and easily duplicates complete configuration from one MLC 52 model to another without cables or software.
- Extron's easy-to-use configuration software - Provides fast and simple setup via RS-232 when combined with one of many IR drivers available on the Extron Web site.

Continued →

MLC 52 Series

DESCRIPTION (CONTINUED)

Mounting Options

Either MLC 52 model can be mounted in a standard, one-gang electrical box or the included mud rings, allowing the controller to be installed virtually anywhere, including walls, lecterns, or tables. Additional mounting options include:

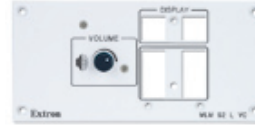
- MLM 52 1GWP - One-gang wall mounting kit with metal faceplate, available in black or white.
- MLM 52 VC - Two-gang wall mounting kit with an integrated volume control knob that allows for remote volume and mute control of an Extron MPA Series or HPA Series audio power amplifier or MLP Series mic preamplifier. Also available with black or white high-impact plastic mounting faceplates. Also available with black or white metal mounting faceplates.
- MLM 52 L VC - Metal lectern mounting kit with an integrated volume control knob that allows for remote volume and mute control of an Extron MPA Series or HPA Series audio power amplifier or MLP Series mic preamplifier. Available in black or white.



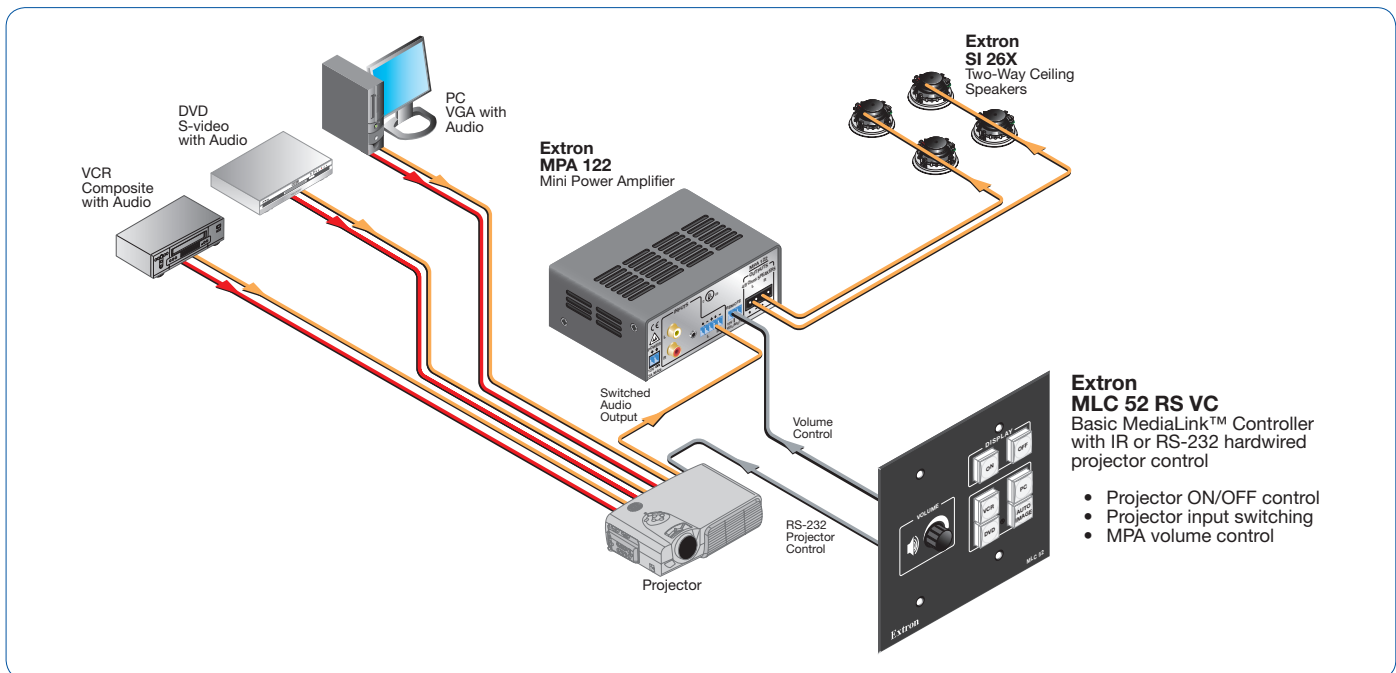
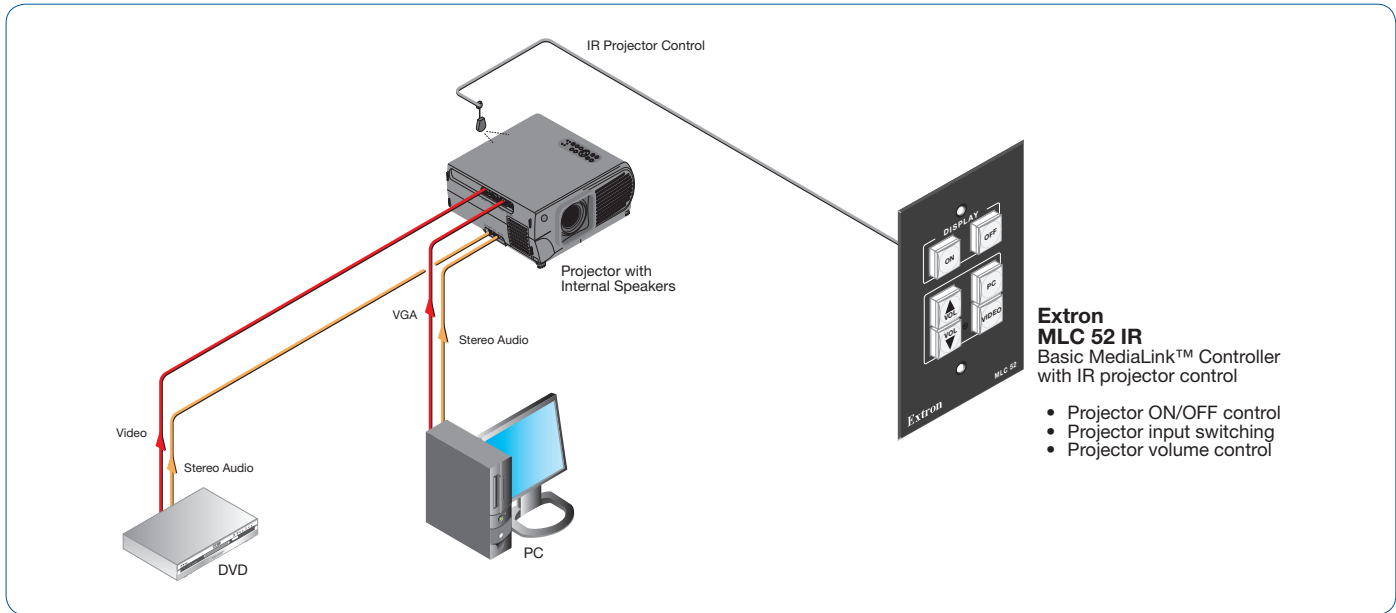
MLM 52 VC



MLM 52 1GWP



MLM 52 L VC



Continued →

MLC 52 Series

MLC 52 IR

Basic MediaLink™ Controller with IR Display Control

UNIQUE FEATURES

- IR port for universal display control
- Includes black & white MR 100 One Gang Mud Rings



Front



Rear

MODEL	VERSION DESCRIPTION	PART #
MLC 52 IR	IR Control	60-744-02

MLC 52 RS

Basic MediaLink™ Controller with IR and RS-232 Display Control

UNIQUE FEATURES

- Unidirectional RS-232 and IR ports for universal display control
- Includes black & white MR 100 One Gang Mud Rings



Front



Rear

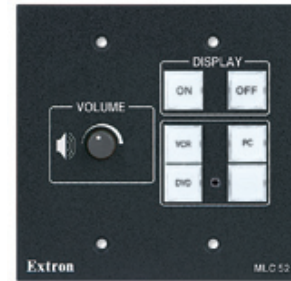
MODEL	VERSION DESCRIPTION	PART #
MLC 52 RS	IR and RS-232 Control	60-744-12

MLC 52 IR VC

Basic MediaLink™ Controller with IR and Volume Control

UNIQUE FEATURES

- IR port for universal display control
- Integrated volume control knob for remote volume control of Extron MPA Series or HPA Series audio power amplifiers or MLP Series mic preamplifiers
- Includes black & white MR 200 Two Gang Mud Rings



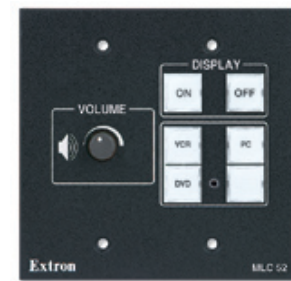
MODEL	VERSION DESCRIPTION	PART #
MLC 52 IR VC	IR and Volume Control	60-745-02

MLC 52 RS VC

Basic MediaLink™ Controller with IR, RS-232, and Volume Control

UNIQUE FEATURES

- Unidirectional RS-232 and IR ports for universal display control
- Integrated volume control knob for remote volume control of Extron MPA Series or HPA Series audio power amplifiers or MLP Series mic preamplifiers
- Includes black & white MR 200 Two Gang Mud Rings



MODEL	VERSION DESCRIPTION	PART #
MLC 52 RS VC	IR, RS-232, and Volume Control	60-745-12

MLC 52 Series

MLC 52 Series Accessories

INCLUDED ACCESSORIES	MODEL DESCRIPTION	PAGE	PART #
EPS 1210 B	Extron EPS 1210 B Power Supply - 12VDC, 2A	page 694	70-055-01
IR Emitter and Shield Kit	IR Emitter Kits	page 416	70-283-01
MR 100	One-Gang Mud Ring - Black	page 821	70-519-12
MR 100	One-Gang Mud Ring - White	page 821	70-519-13
OPTIONAL ACCESSORIES	MODEL DESCRIPTION	PAGE	PART #
CFG Cable	9 DB Female-2.5 mm TRS Config. Cable - RS Version Only	page 418	70-335-01
MPA 122	22 Watt Two Channel Integrated MPA - Mini Power Amplifier	page 658	60-668-01
MPA 181T	70 Volt 18 Watt Mono Integrated MPA - Mini Power Amplifier	page 659	60-747-01
MLC IR/RS-232-35'	One Projector Communication Cable - Plenum, 35' (10.6 m)	page 419	26-621-35
IR Link	Wall-Mountable IR Signal Repeater	page 281	60-404-02
IRL 20	IR Signal Repeater	page 416	60-580-01
IR 452	Handheld IR Remote Control for the MLC 52	page 415	70-543-01
EWB 101	One-gang, Black	page 823	60-452-02
SMB 101	One-Gang Surface Mounting Box	page 824	60-639-0X

SPECIFICATIONS

CONTROL / REMOTE – MLC CONTROLLER HOST PORTS

Serial control port	1 front panel 2.5 mm mini stereo jack (tip-ring-sleeve)
Baud rate and protocol	9600 baud, 8 data bits, 1 stop bit, no parity
Serial control pin configurations	Mini stereo jack: tip = TX, ring = RX, sleeve = GND
Program control	Extron's configuration program for Windows® Extron's Simple Instruction Set (SIS™)

CONTROL – PROJECTOR/PLASMA (MLC 52 RS, MLC 52 RS VC)

Projector control port	(1) 3.5 mm direct insertion captive screw connector, 6 pole for IR and 1-way RS-232 control (connector is shared between power input and IR and 1-way RS-232 projector control)
IR control	TTL level (0 to 5 V) modulated infrared control from 30 kHz up to 60 kHz
RS-232 control (1-way)	±5 V
Baud rate and protocol (RS-232)	57600 to 1200 (9600 default) baud (configurable); 8 (default) or 7 data bits; 1 stop bit (±5 V); no parity (default), or even or odd parity
IR learning frequencies	30 kHz to 62 kHz
IR learning distance	4" (10 cm) to 14" (36 cm) from the side panel

CONTROL – PROJECTOR/PLASMA (MLC 52 IR, MLC 52 IR VC)

Projector control port	(1) 3.5 mm direct insertion captive screw connector, 6 pole for IR (connector is shared with power input)
IR control	TTL level (0 to 5 V) modulated infrared control from 30 kHz up to 60 kHz
IR learning frequencies	30 kHz to 62 kHz
IR learning distance	4" (10 cm) to 14" (36 cm) from the side panel

CONTROL – PERIPHERAL EQUIPMENT (MLC 52 RS VC, MLC 52 IR VC)

Control port (for 10k ohms control)	(1) 3.5 mm direct insertion captive screw connector, 3 pole
Pin configuration	1 = reference voltage input, 2 = variable voltage output, 3 = GND

GENERAL

External power supply	100 VAC to 240 VAC, 50/60 Hz, external; to 12 VDC, 1 A, regulated
Power input requirements	12 VDC, 0.15 A
Temperature/humidity	Storage: -40 to +158 °F (-40 to +70 °C) / 10% to 90%, noncondensing Operating: -32 to +122 °F (0 to +50 °C) / 10% to 90%, noncondensing
Rack mount	Yes, with optional faceplate #70-554-02 or 70-554-03. Also wall- and furnituremountable.
Enclosure type	High-impact plastic
Enclosure dimensions	
MLC 52 RS, MLC 52 IR	
Faceplate	4.5" H x 2.75" W x 0.13" D (11.4 cm H x 7.0 cm W x 0.3 cm D) (1 gang)
Device	2.5" H x 1.6" W x 1.5" D (6.4 cm H x 4.1 cm W x 3.8 cm D) (Depth excludes connectors and buttons.)
MLC 52 RS VC, MLC 52 IR VC	
Faceplate	4.5" H x 4.6" W x 0.1" D (11.4 cm H x 11.7 cm W x 0.3 cm D) (2 gang)
Device	1.4" H x 1.3" W x 0.9" D (3.5 cm H x 3.3 cm W x 2.3 cm D) and 2.5" H x 1.6" W x 1.5" D (6.4 cm H x 4.1 cm W x 3.8 cm D) (Depth excludes knob, connectors, and buttons. Allow at least 2" (5 cm) depth in the wall or furniture for device and cable clearance.)
Product weight	
MLC 52 RS, MLC 52 IR	0.2 lb (0.1 kg)
MLC 52 RS VC, MLC 52 IR VC	0.3 lb (0.1 kg)
Shipping weight	3 lbs (2 kg)
Vibration	ISTA 1A in carton (International Safe Transit Association)
Listings	UL, CUL
Compliances	CE, FCC Class A, VCCI, AS/NZS, ICES
MTBF	30,000 hours
Warranty	3 years parts and labor

NOTE: All nominal levels are at ±10%. Specifications are subject to change without notice.